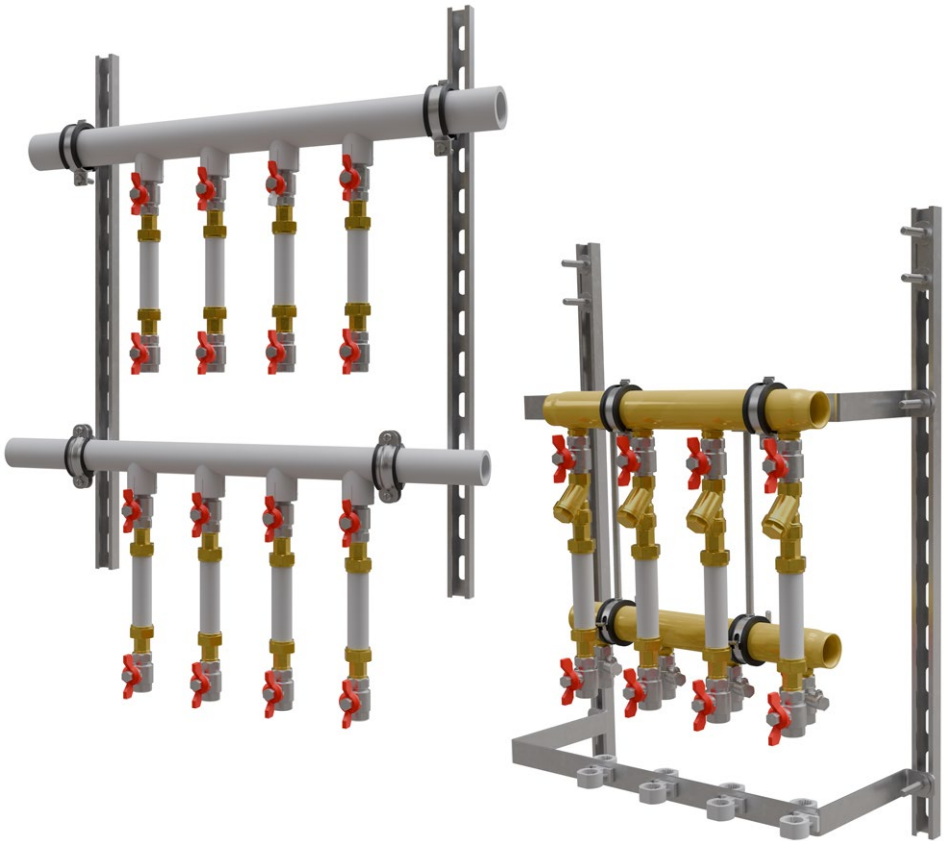




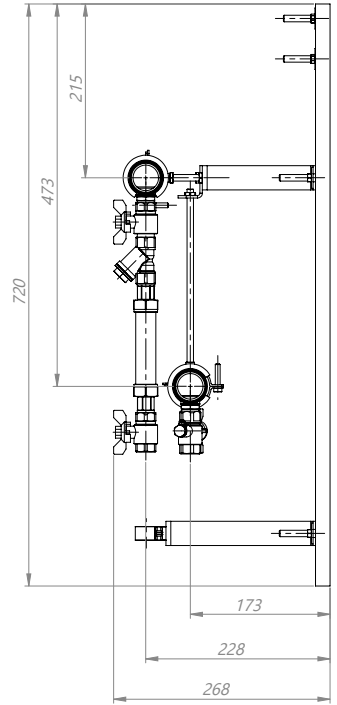
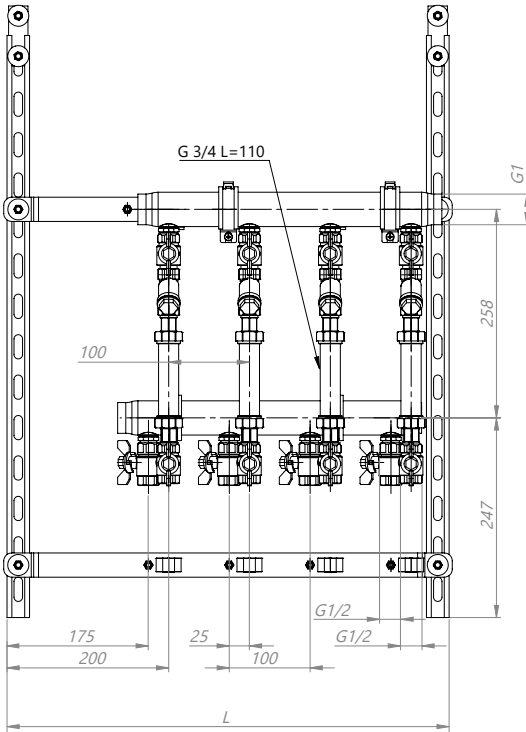
Install your **future**



ZRM Modules

CODE 9922115062

www.kan-therm.com



No	2	3	4	5	6	7	8
Code	1343183042	1343183043	1343183044	1343183045	1343183046	1343183047	1343183048
m [kg]	4,5	6	7,3	8,7	10	11,8	13,2
L [mm]	377	447	547	647	747	847	947

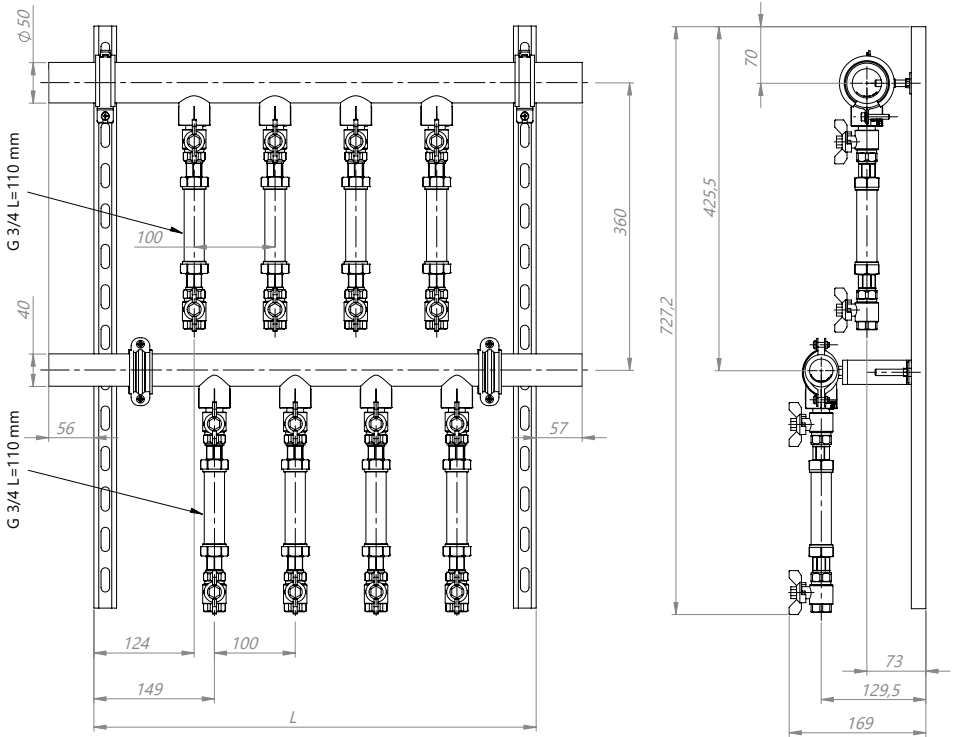
CO

H₂O = 100%; Glycol ≤ 50%

1.0252 + CW617N



P 10 bar T_{max} 20 °C t_{max} 48h



No	2	3	4	5	6	7	8
Code	1343183035	1343183036	1343183037	1343183038	1343183039	1343183040	1343183041
m [kg]	3,3	4	5	5,7	6,6	7,4	8,1
L [mm]	377	447	547	647	747	847	947

H2O

H2O = 100%

PP-R + CW617N



P 10 bar T_{max} 20 °C t_{max} 48h

KAN Sp. z o.o.
ul. Zdrojowa 51
16-001 Kleosin

© KAN 2024

www.kan-therm.com